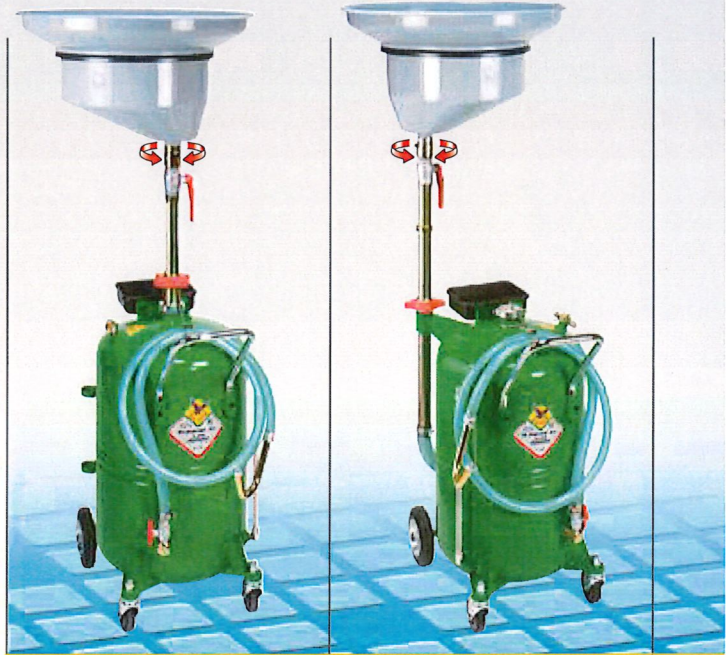
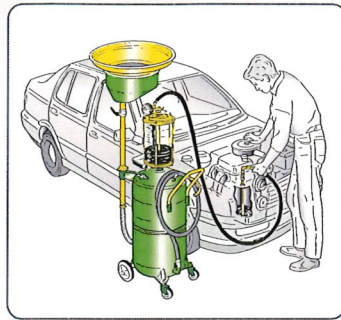
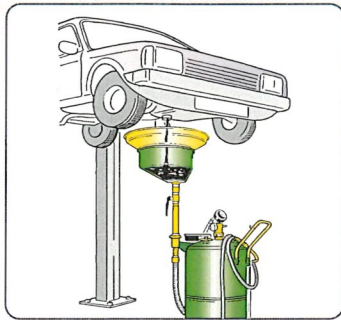




# PROFESSIONAL waste oil suction-drainers

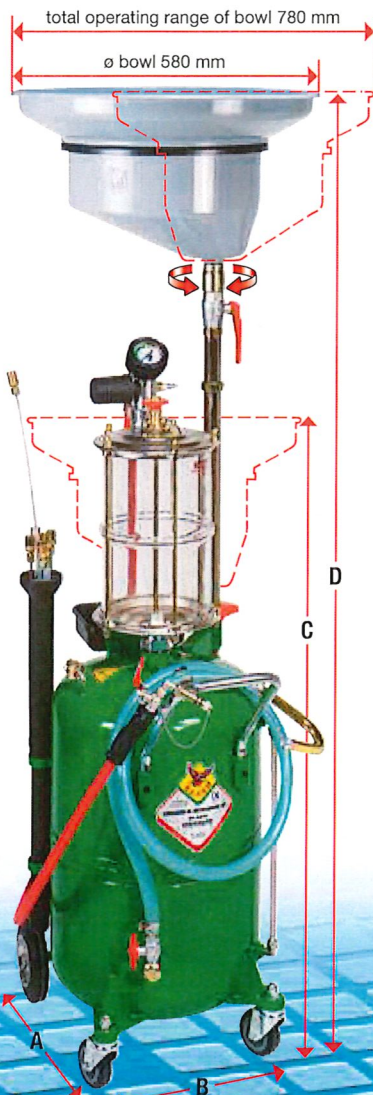
gravity-drainers

Gravity and air operated suction drainers. Ideal for quick engine oil change of any motor vehicle. Waste oil can be collected by gravity, using the bowl mounted on the adjustable support, or by suction through the supplied probes. After depressurisation the drainer works independently without requiring continuous connection to the compressed air system. Suck hot oil at 70 - 80 °C.



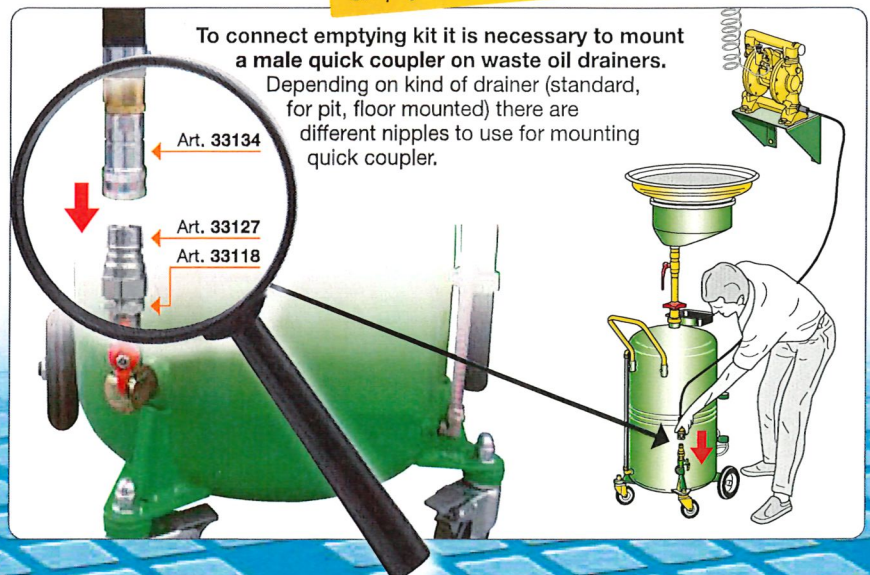
central bowl

side bowl



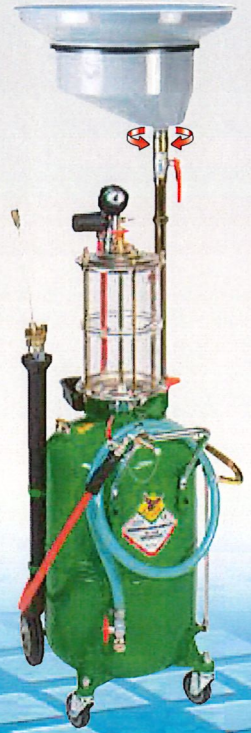
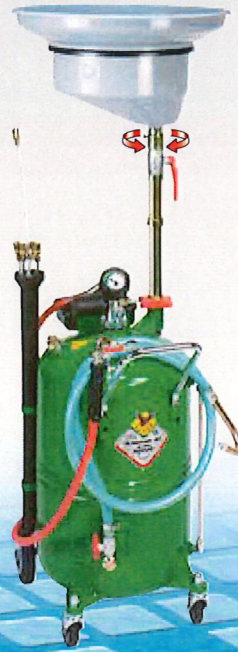
Article		42065	42090	42115	42066	42091	42116
<b>Tank capacity</b>	litres	<b>65</b>	<b>90</b>	<b>115</b>	<b>65</b>	<b>90</b>	<b>115</b>
<b>Max draining capacity</b>	litres	52	75	97	52	75	97
<b>Prechamber capacity</b>	litres	-	-	-	-	-	-
<b>Bowl capacity</b>	litres	15	15	15	15	15	15
<b>Air pressure for depressurisation</b>	bar	-	-	-	-	-	-
<b>Depressurisation time</b>	min	-	-	-	-	-	-
<b>Noise level</b>	dB	-	-	-	-	-	-
<b>Suction speed</b>	l/min	-	-	-	-	-	-
<b>Total suction capacity</b>	litres	-	-	-	-	-	-
<b>Discharging/suction hose</b>	m	draining 2	draining 2	draining 2	draining 2	draining 2	draining 2
<b>Max pressure for draining</b>	bar	0,5	0,5	0,5	0,5	0,5	0,5
<b>Set of probes</b>	Art.	-	-	-	-	-	-
<b>Packing</b>	N° - m <sup>3</sup>	2 - 0,270	2 - 0,300	2 - 0,420	2 - 0,270	2 - 0,300	2 - 0,420
<b>Weight</b>	kg	33	34	42	33	34	42
<b>Dimensions (A - B - C)</b>	cm	60-42-127	64-42-140	66-49-142	60-42-134	64-42-125	66-49-128
<b>Ingombro max (D)</b>	cm	178	190	192	175	170	173

To connect waste oil gravity and suction drainers to emptying kit see page 50



## suction-drainers

## combined drainers



standard

with prechamber

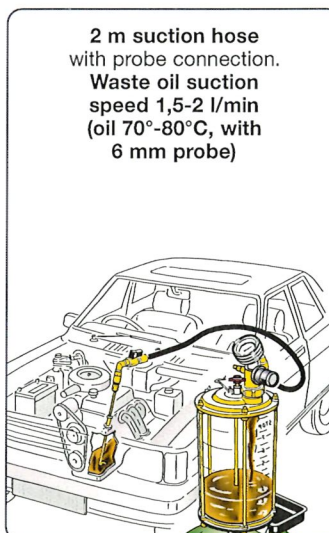
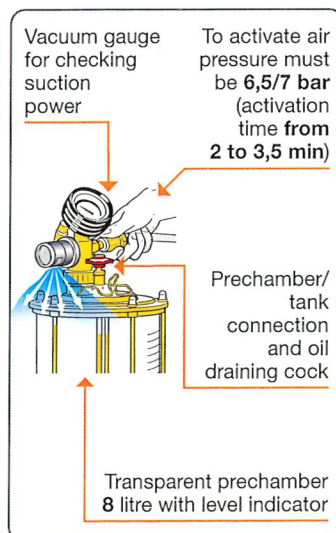
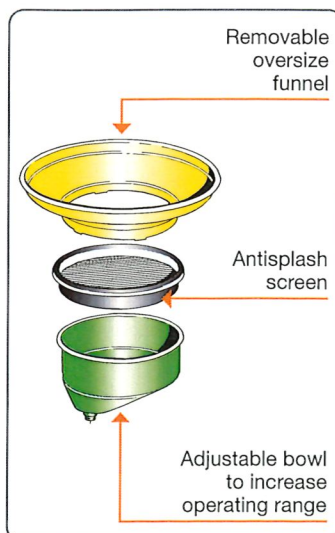
standard

with prechamber

standard			with prechamber			standard			with prechamber		
43060	43090	43114	43065	43091	43115	44060	44090	44115	44065	44091	44116
<b>65</b>	<b>90</b>	<b>115</b>	<b>65</b>	<b>90</b>	<b>115</b>	<b>65</b>	<b>90</b>	<b>115</b>	<b>65</b>	<b>90</b>	<b>115</b>
52	75	97	52	75	97	52	75	97	52	75	97
-	-	-	8	8	8	-	-	-	8	8	8
-	-	-	-	-	-	15	15	15	15	15	15
6,5 - 7	6,5 - 7	6,5 - 7	6,5 - 7	6,5 - 7	6,5 - 7	6,5 - 7	6,5 - 7	6,5 - 7	6,5 - 7	6,5 - 7	6,5 - 7
2	2,5 - 3	3 - 3,5	2	2,5 - 3	3 - 3,5	2	2,5 - 3	3 - 3,5	2	2,5 - 3	3 - 3,5
75	75	75	75	75	75	75	75	75	75	75	75
1,5 - 2	1,5 - 2	1,5 - 2	1,5 - 2	1,5 - 2	1,5 - 2	1,5 - 2	1,5 - 2	1,5 - 2	1,5 - 2	1,5 - 2	1,5 - 2
43 - 45	60 - 65	85 - 90	43 - 45	60 - 65	85 - 90	43 - 45	60 - 65	85 - 90	43 - 45	60 - 65	85 - 90
2/2	2/2	2/2	2/2	2/2	2/2	2/2	2/2	2/2	2/2	2/2	2/2
0,5	0,5	0,5	0,5	0,5	0,5	0,5	0,5	0,5	0,5	0,5	0,5
45560	45560	45560	45560	45560	45560	45560	45560	45560	45560	45560	45560
2 - 0,230	2 - 0,250	2 - 0,420	2 - 0,230	2 - 0,225	2 - 0,420	3 - 0,330	3 - 0,360	3 - 0,460	3 - 0,330	3 - 0,360	3 - 0,460
26,9	31,4	42	32,9	36	43	34,6	38,2	43	38,2	42,1	50
60-42-86	64-42-100	66-49-102	60-42-128	64-42-140	66-49-142	62-42-134	62-42-138	66-49-170	60-42-153	62-42-166	66-49-168
-	-	-	-	-	-	175	188	190	175	188	190

Caution: do not suck brake fluids, fuels, flammable or corrosive liquids

## Details and advantages

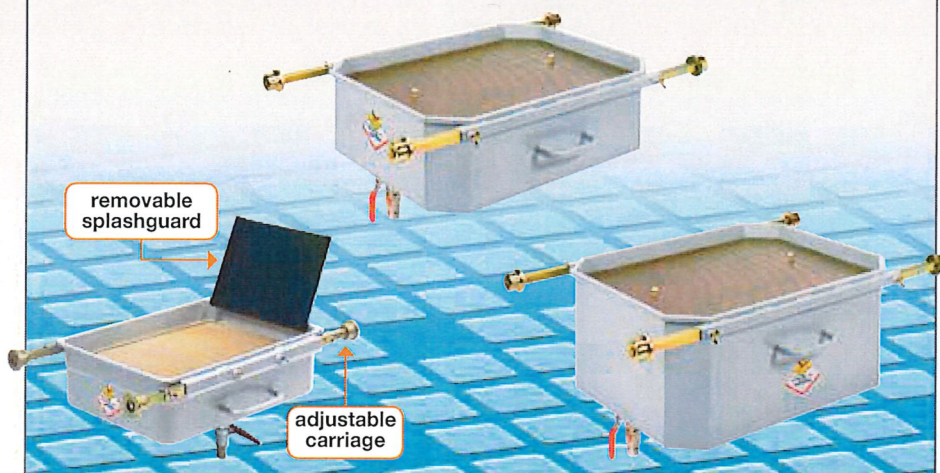
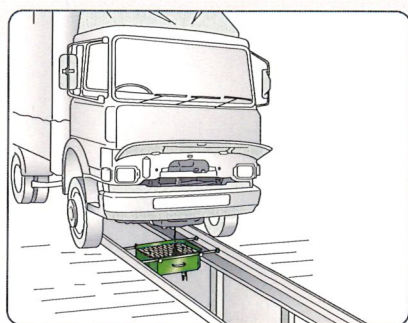




# Waste oil pit drainer

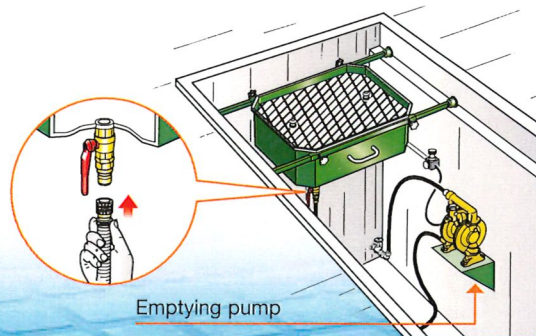
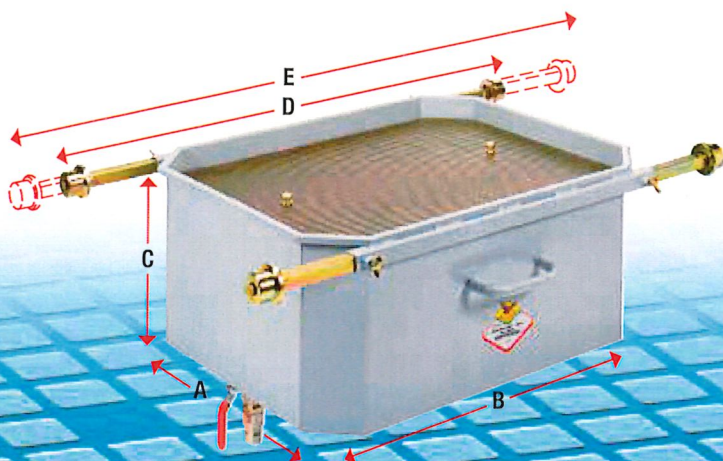
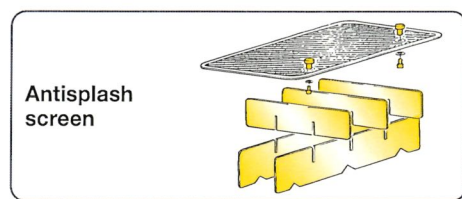
## Pit waste oil drainers.

Suitable for gravity draining of engine, gearbox and differential oil from all motor vehicles placed on a pit. Equipped with antisplash screen which can be used as a support for draining oil filters.



Article	42059	42060	42061	42062	42055	42056
Tank capacity litres	65	65	110	110	150	150
Wheels	adjustable carriage	adjustable carriage	adjustable carriage	adjustable carriage	adjustable carriage	adjustable carriage
Emptying	by suction	by gravity	by suction	by gravity	by suction	by gravity
Equipped with	quick-release connector	hose-holder ø 30	quick-release connector	hose-holder ø 30	quick-release connector	hose-holder ø 30
Packing  N° - m <sup>3</sup>	1 - 0,140	1 - 0,140	1 - 0,220	1 - 0,220	1 - 0,270	1 - 0,270
Weight  kg	27,5	28	39,5	40	53,5	54
Dimensions (A - B - C) cm	51 - 66 - 22	51 - 66 - 22	63,5 - 79 - 26,4	63,5 - 79 - 26,4	63,5 - 79 - 35,7	63,5 - 79 - 35,7
Dimensions (D - E) cm	75 - 120	75 - 120	84 - 125	84 - 125	84 - 125	84 - 125

Caution: do not use with flammable or corrosive liquids



The drained oil can be transferred from the collection bowl to the storage tank by gravity or by using an emptying pump connected to the fixed system