



# Exhaust Hose Reel

Compact system with great flexibility

This type of exhaust gas extraction combines the advantages of a compact system with great flexibility. Placed in a convenient arrangement, an extraction of up to three working bays is possible. The extraction hose is wound around a hose reel and lowered either mechanically or by means of an electric drive as required.



Whether for passenger cars or for trucks, we offer the best solution for your Workshop. The Exhaust Hose Reel may be mounted on the wall or ceiling, allowing you a better use of your workshop area.

Do you want to use your Exhaust Hose Reel more flexible? It is possible to place one or more Hose Reel in an Aluminium rail systems. This system allows you to reach spatial points in the workshop, which no other extraction systems can adequately cover.



The particularity of our hose reels is the use of cast aluminium components, such as side walls, lid and spindle parts.

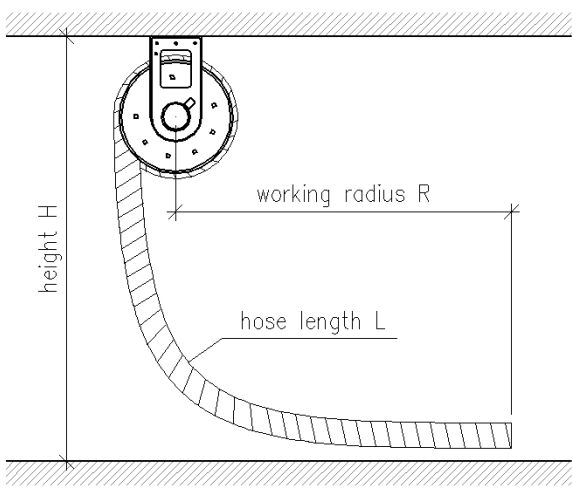
**Hose:**

We use our spiral hose, which was specially developed for the higher exhaust gas temperatures of today's vehicles. It is temperature resistant up to 180 ° C. Naturally, this system can also be equipped with a hose for higher temperatures. The exhaust Hose Reel is available with extraction hose from DN 75 until DN 250 and with a length upto 10m. You can use this System in the passenger car and commercial vehicle sector as well as in the agricultural and construction machinery sector.

**Areas of application:**

- The hose reel provided with the respective capture elements and associated extraction fans in accordance with our design guidelines is intended for extracting gases in maintenance and repair services of combustion engines, as well as for emission test benches in compliance with the specified max. temperature loads.
- No combustible or explosive substances may be aspirated; combinations of extraction of exhaust gases from internal combustion engines with welding and grinding jobs are not allowed. Moreover, combinations with room or pit ventilation systems are not allowed.
- The exhaust air conduction after the extraction fan must be designed in accordance with the relevant country legislation. Also in this case, it is key to follow the corresponding system design of the manufacturer.

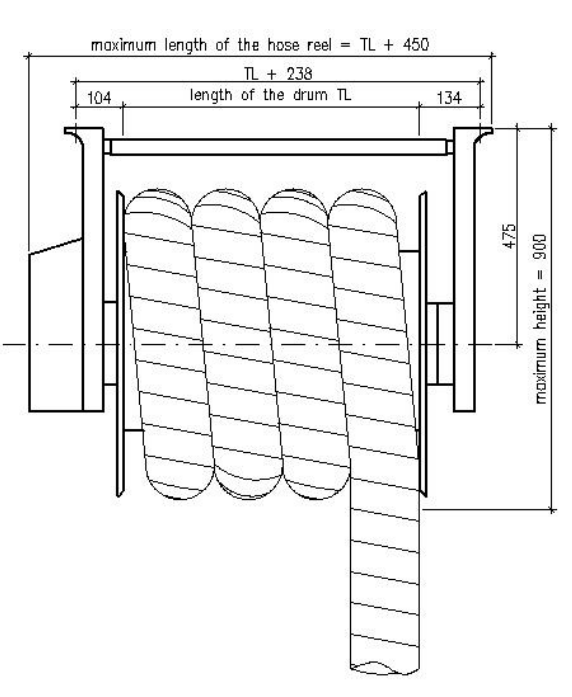
### Working radius of hose reels



R [m]	L [m]			
H [m]	7,5	10,0	12,5	15,0
3.0	5.75	8.00	10.00	11.75
3.5	5.50	8.00	9.75	11.75
4.0	5.25	7.75	9.75	11.50
4.5	4.75	7.50	9.50	11.50
5.0	4.50	7.25	9.25	11.25
5.5	4.00	7.00	9.00	11.00
6.0	3.25	6.75	8.75	11.00
7.0		5.75	8.25	10.50
8.0		4.50	7.50	9.75
9.0			6.50	9.00
10.0			5.00	8.00

- R ... Working radius rounded off to 0.25 m accuracy  
H ... Height of space  
L ... Hose length

### Dimensions of hose reels



SL [m]	DN [mm]			
L [m]	75	100	125	150
5.0	950 (TL 500)	950 (TL 500)	950 (TL 500)	950 (TL 500)
7.5	950 (TL 500)	950 (TL 500)	1100 (TL 650)	1200 (TL 750)
10.0	1100 (TL 650)	1100 (TL 650)	1200 (TL 750)	1350 (TL 900)
12.5	1200 (TL 750)	1350 (TL 900)	1350 (TL 900)	1650 (TL 1200)
15.0		1650 (TL 1200)	1650 (TL 1200)	1650 (TL 1200)
17.5		1650 (TL 1200)	1850 (TL 1400)	1850 (TL 1400)

- SL ... Total hose reel length  
TL ... Drum length  
L ... Hose length

	<p>max SB [mm]</p>	<p>770</p>
--	------------------------	------------

SB ... Hose reel width

**Exemples**

